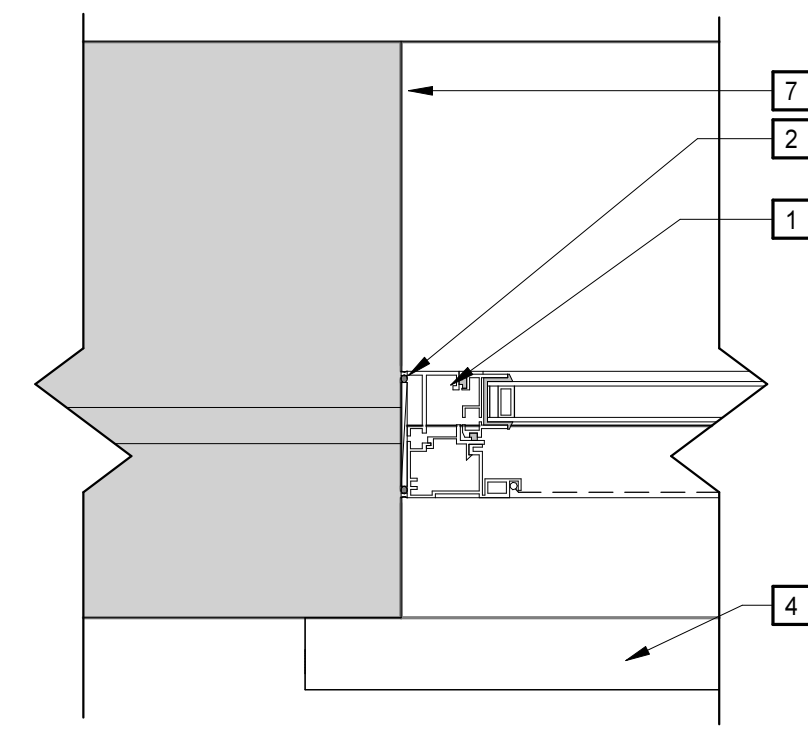
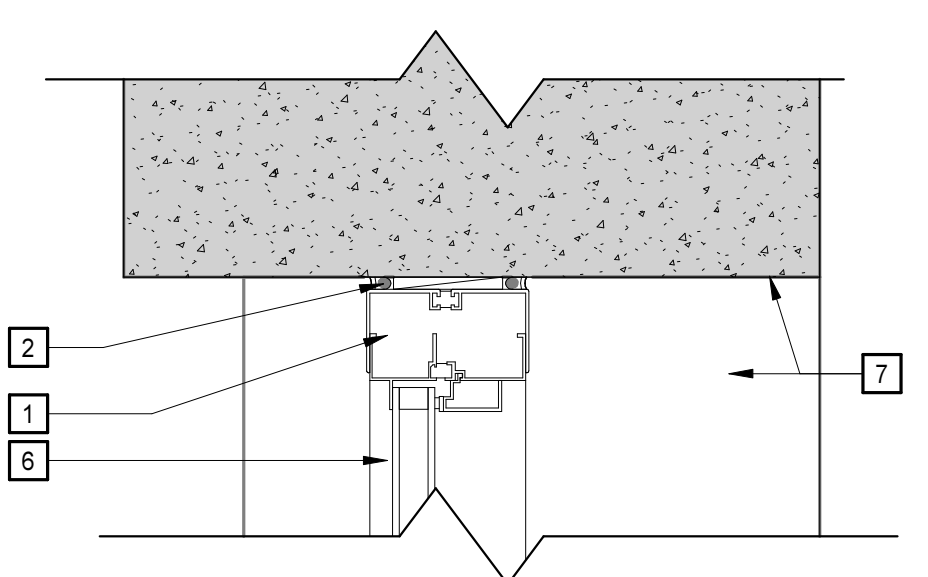


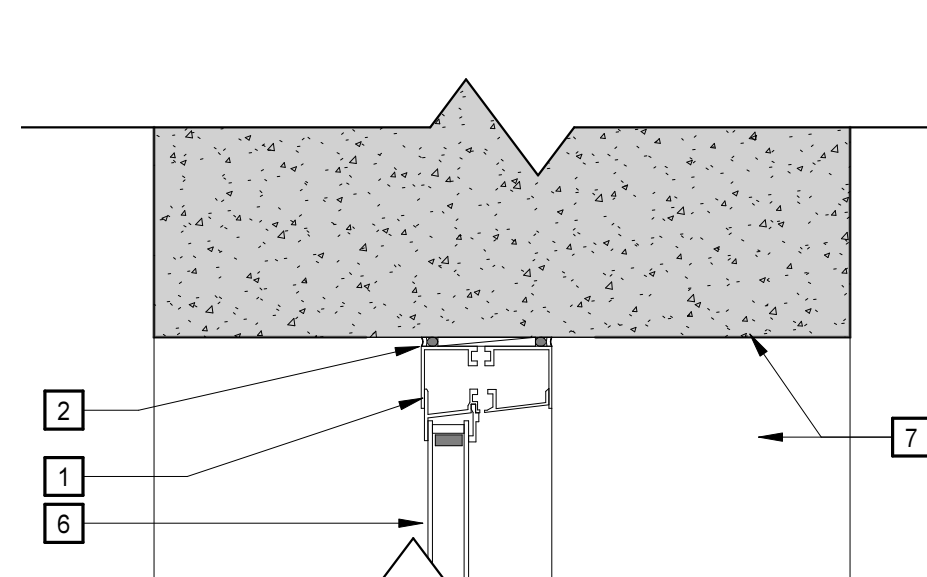
23 JAMB DETAIL  
A3.1.1 A3.1.1 3" = 1'-0"



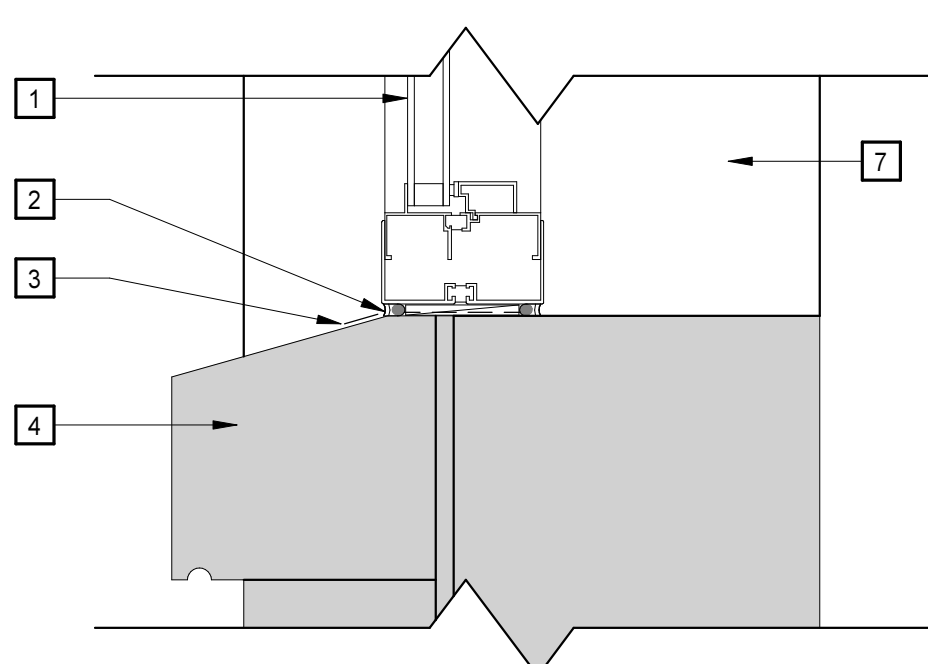
22 JAMB DETAIL  
A3.1.1 A3.1.1 3" = 1'-0"



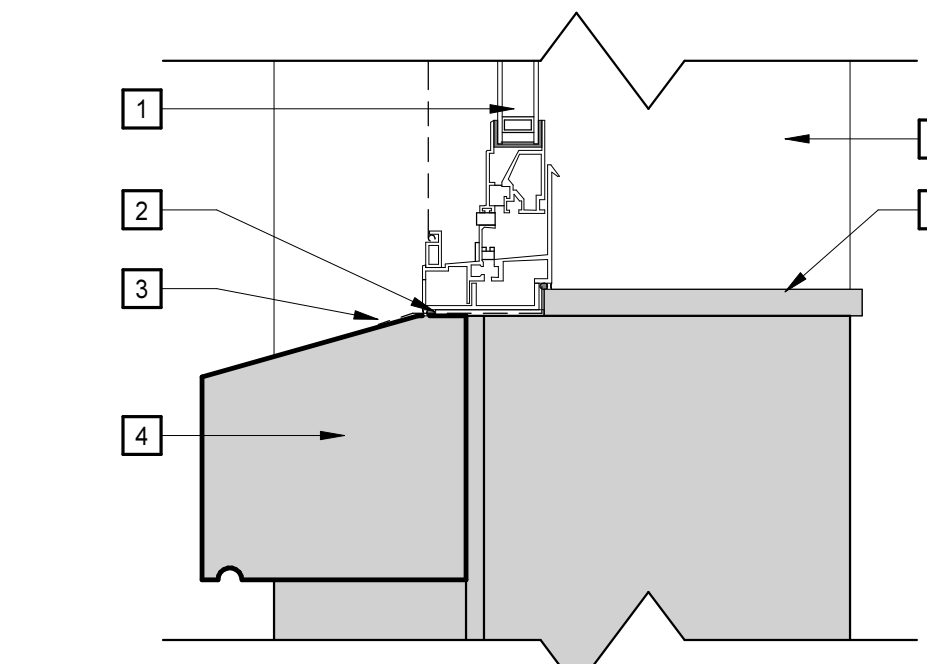
25 HEAD DETAIL  
A3.1.1 A3.1.1 3" = 1'-0"



21 HEAD DETAIL  
A3.1.1 A3.1.1 3" = 1'-0"



27 FIXED WINDOW SILL  
A3.1.1 A3.1.1 3" = 1'-0"



20 SILL DETAIL  
A3.1.1 A3.1.1 3" = 1'-0"

**GENERAL NOTES**

REFER TO DWG A3.1.n FOR GLAZING TYPE LEGEND AND NOTES

REFER TO DWG A3.2.1 FOR DETAILS

REFER TO DWG A3.1.1 FOR KEYNOTE LEGEND

A FIELD VERIFY ALL OPENINGS AND COORDINATE EXACT SIZE OF FRAMES WITH REQUIRED JOINT SIZING AND AVAILABLE OPENING. DIMENSIONS INDICATED ON DRAWINGS ARE RO OR MO. NOTIFY ARCHITECT IF SIGNIFICANT DIFFERENCE EXISTS BETWEEN DIMENSIONS INDICATED AND EXISTING FIELD CONDITIONS.

**GLAZING TYPES**  
REPRESENTED BY n

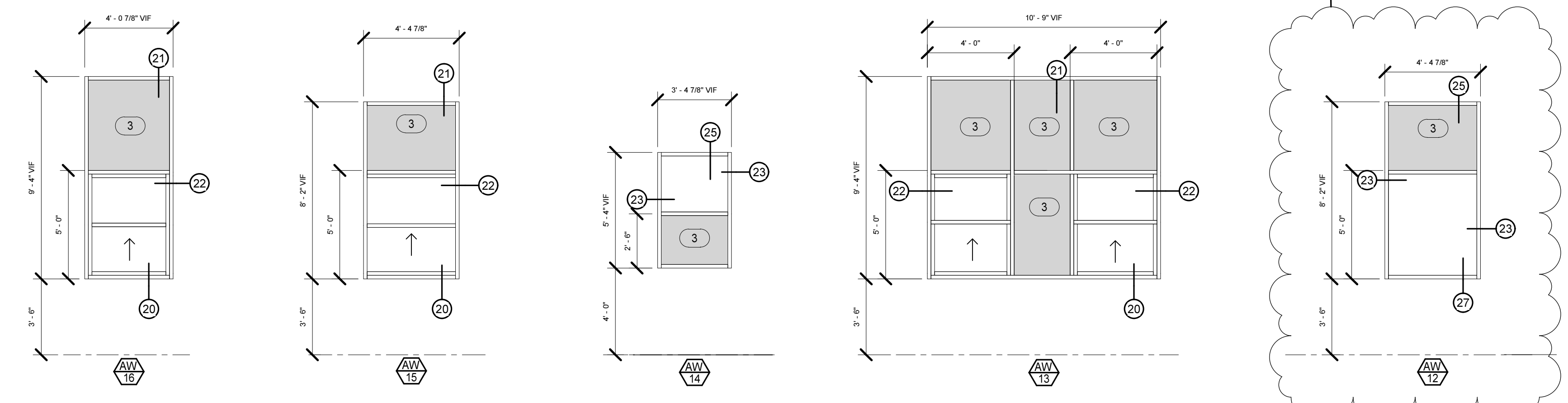
1. 7/8" INSULATED GLASS  
2. N/A  
3. 7/8" INSULATED METAL PANEL INFILL GLAZED INTO FRAME SYSTEM

**NOTES**

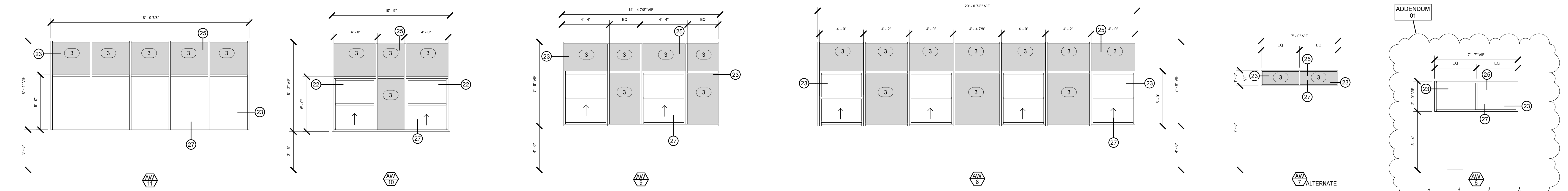
- ALL GLAZING IN FRAMES SHALL BE TYPE 1, UNO
- GLAZE ALL OPENINGS IN FRAMES UNLESS SPECIFICALLY INDICATED OTHERWISE
- ALL GLAZING SHALL BE SAFETY GLASS WHERE CODE REQUIRED
- OPERABLE WINDOW SEGMENTS INDICATED WITH 11
- PROVIDE HORIZONTAL LOVER BLINDS AT ALL WINDOW LOCATIONS WITH GLAZING TYPE 1

**WALL SECTION KEYNOTES**  
REPRESENTED BY 1  
APPLIES TO DRAWINGS A3.1.1

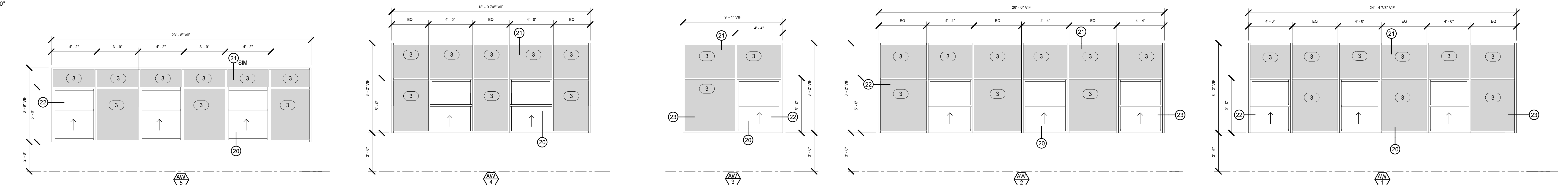
1	ALUMINUM WINDOW UNIT (WESTCO - BASIS OF DESIGN)
2	SEALANT AND BACKER ROD, ALL SIDES
3	CONTINUOUS ALUMINUM FLASHING
4	EXISTING CONCRETE SILL, WHERE APPLICABLE
5	EXISTING INTERIOR SILL, WHERE APPLICABLE
6	GLAZING/METAL PANEL INFILL AS INDICATED IN ELEVATIONS
7	PATCH, REPAIR, PAINT INTERIOR WALL/CEILING TO MATCH EXISTING



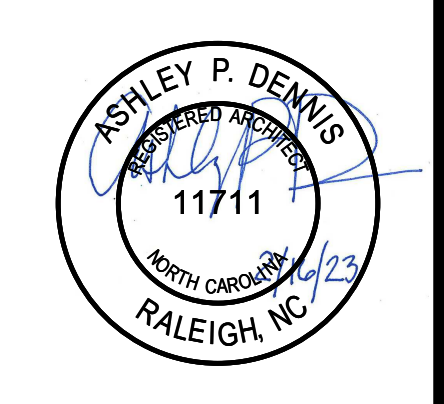
ALUMINUM WINDOW ELEVATION - PART A AND B  
1/4" = 1'-0"



ALUMINUM WINDOW ELEVATION - PART A AND B  
1/4" = 1'-0"



ALUMINUM WINDOW ELEVATIONS - PART A AND B  
1/4" = 1'-0"



PROJECT NO: 612530  
DATE: FEBRUARY 16, 2023

REVISIONS	
DATE	DESCRIPTION
3/2/2023	ADDENDUM 01